

Frost PC: 150lm/W

Stripe PC: 155lm/W

Clear PC: 160lm/W

NAME: LED T8 Tube

P/N: GP-T8-E05-XXW

Type	A	B	C
0.6m	590mm	596mm	602mm
0.9m	894mm	900mm	906mm
1.2m	1198mm	1206mm	1212mm
1.5m	1498mm	1506mm	1512mm
1.8m	1768mm	1772mm	1778mm
2.4m	2352mm	2361mm	2367mm

Advantage

- CE、RoHS certificate
- Warm / Natural / Cool / Cold white
- IP44 Waterproof Rating
- High lumens, 150lm/W to 160lm/W
- Internal driver, input voltage AC100-240V/277V 50-60Hz
- No UV or IR in the beam.
- Energy saving, long service life.
- OEM service available. Laser print customer LOGO and customer exclusive label.
- Green and eco-friendly without mercury.



Application

Widely used in home, supermarket, parking lot, hispital, school, etc.

Shenzhen GAOPIN Semiconductor Lighting Technology Co.,LTD

Tel: +86-755-29748076
www.gaopinled.com

Fax: +86-755-29748090
E-mail:sales@gaopinled.com

Product Specifications				
Product name	LED T8 Tube			
Light Type	Tube Light			
Technical Characteristic				
Cover	Frosted+Strip+ Clear PC			
Color temperature	2700-6500K			
CRI	70/80			
Lumen Efficacy	150-160 LM/W			
Viewing Angle	120 Degree			
Input Voltage	AC100-240V/100-277 50/60Hz			
PFC	>90%			
Waterproof Rating	IP44			
Product Parameters				
GP-T8-E05-9W	602* Φ 26mm	108 LEDs	1350-1440LM	70*25*25cm/7.5KG/30pcs
GP-T8-E05-14W	906* Φ 26mm	150 LEDs	2100-2240LM	100*25*25cm/8.2KG/30pcs
GP-T8-E05-18W	1212* Φ 26mm	216 LEDs	2700-2880LM	130*25*25cm/10.2KG/30pcs
GP-T8-E05-22W	1212* Φ 26mm	216 LEDs	3330-3520LM	130*25*25cm/10.2KG/30pcs
GP-T8-E05-24W	1512* Φ 26mm	288 LEDs	3600-3840LM	160*25*25cm/13.5KG/30pcs
GP-T8-E05-30W	1788* Φ 26mm	325 LEDs	4500-4800LM	180*25*25cm/15.5KG/30pcs
GP-T8-E05-40W	2367* Φ 26mm	576 LEDs	6000-6400LM	250*25*25cm/20.5KG/30pcs
Materials				
LED Brand	EPISTAR			
LED Type	SMD2835 (32lm/pcs)			
Housing	PC+AL			
Housing color	White			
Others				
Operating Temperature	-20°C TO 45°C			
Operating Humidity	20%-70% RH			
Storage Temperature	-30°C TO 80°C			
Storage Humidity	10%-75% RH			
Application	Indoor			
Safety Certification	CE、RoHS			
Warranty Time	5 Years			

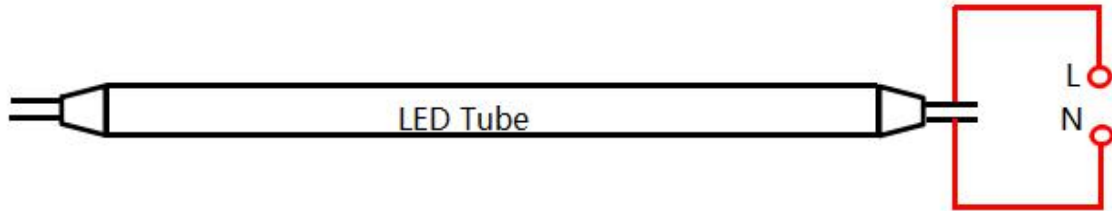
Shenzhen GAOPIN Semiconductor Lighting Technology Co.,LTD

Tel: +86-755-29748076
www.gaopinled.com

Fax: +86-755-29748090
E-mail:sales@gaopinled.com

Installation

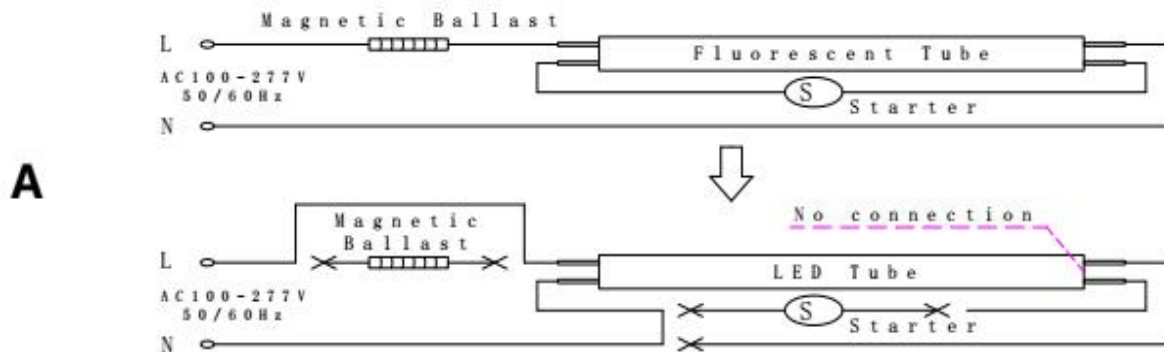
1. Single End Power



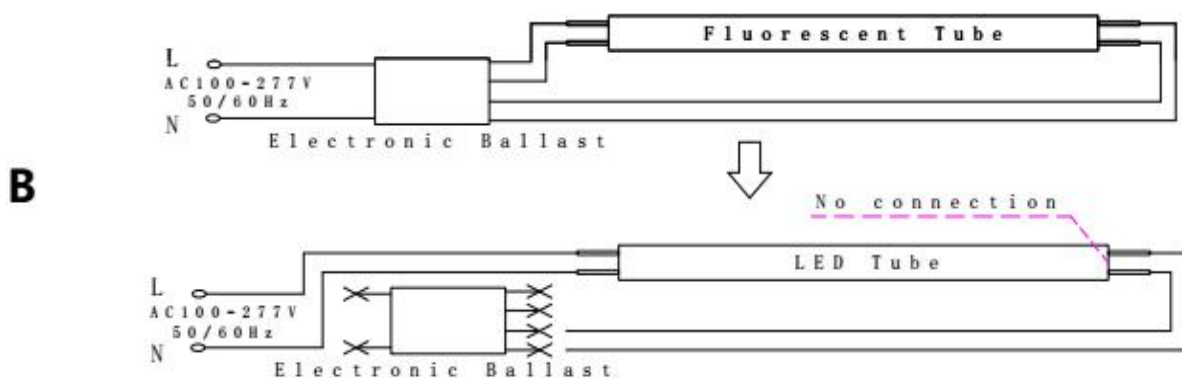
Installation steps

1. Turn off the electricity supply before installation .
2. Make sure the circuit of the base is as following A and B. For old circuit originally for conventional fluorescent, please following the illustrated steps to adjust djust the circuit as follow .
3. After adjusting the circuit , install the LED tube in the same way as installing the traditional fluorescent tube light.
4. Turn on the power supply of the base to check whether the tube light is working properly or not.

Single side (Magnetic ballast) :



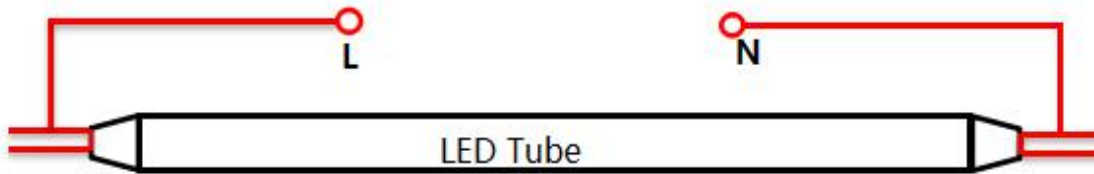
Single side (Electronic ballast) :



Shenzhen GAOPIN Semiconductor Lighting Technology Co.,LTD

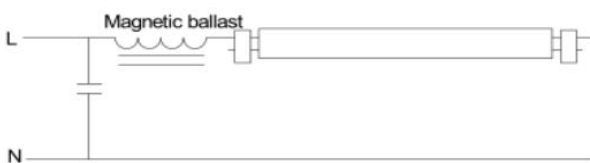
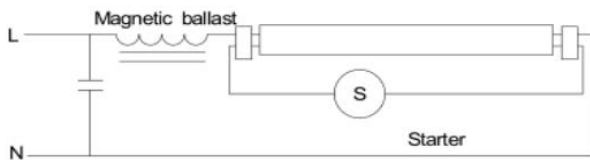
Installation

2.Double End Power

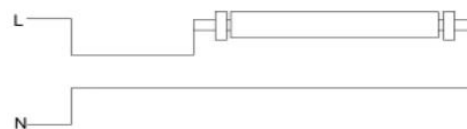
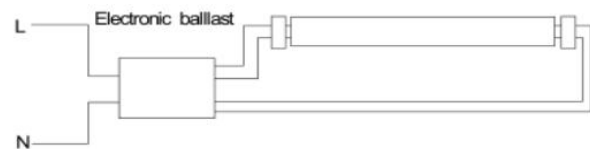


Installation steps

1. Turn off the electricity supply before installation .
2. Remove the starter(A1) or ballast(B1), please adjust djust the circuit as follow .
3. Install the LED tube in the same way as installing the traditional fluorecent tube.
4. Turn on the power supply of the base to check whether the tube light is working properly or not.



A2



B2

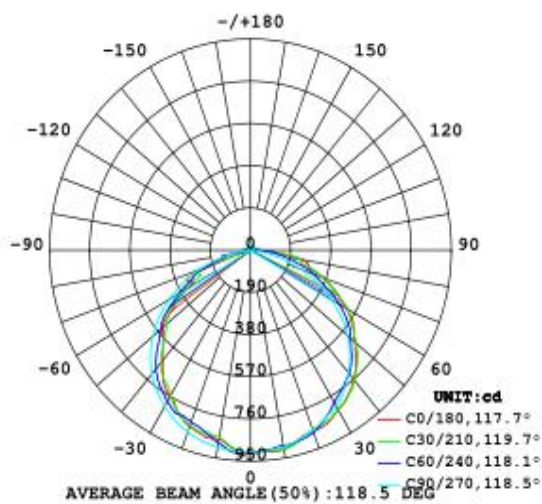
Trouble Shootings

Troubles	Check points
Out of working	Please check the connection
Flickering of the light	Turn off the power and turn on again in 3 minutes. If same phenomena occur, then call agencies

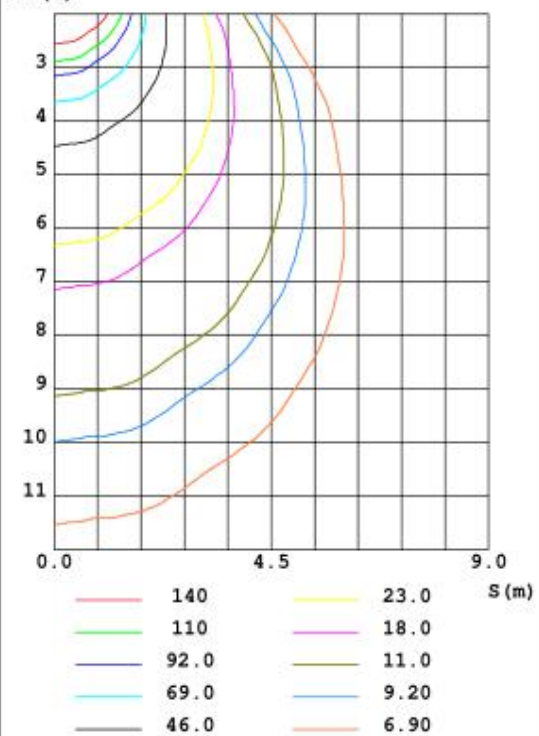
IES Diagram

DATA OF LAMP		PHOTOMETRIC DATA				Eff: 159.37 lm/W
MODEL	T8-18W	I _{max} (cd)	922.9	S/MH (C0/180)	1.36	
NOMINAL POWER (W)	18.2	LOR (%)	100.0	S/MH (C90/270)	1.32	
RATED VOLTAGE (V)	222	TOTAL FLUX (lm)	2864.2	η UP, DN (C0-180)	1.7, 49.0	
NOMINAL FLUX (lm)	2864.22	CIE CLASS	DIRECT	η UP, DN (C180-360)	1.8, 47.5	
LAMPS INSIDE	1	η up (%)	3.5	CIBSE SHR NOM	1.25	
TEST VOLTAGE (V)	221.6	η down (%)	96.5	CIBSE SHR MAX	1.35	

LUMINOUS INTENSITY DISTRIBUTION DIAGRAM



C0 PLANE ISOLUX DIAGRAM (UNIT: lx)



Package



30pcs in a carton

36pcs in a carton

30pcs in a carton

Shenzhen GAOPIN Semiconductor Lighting Technology Co.,LTD

Tel: +86-755-29748076
www.gaopinled.com

Fax: +86-755-29748090
E-mail:sales@gaopinled.com